

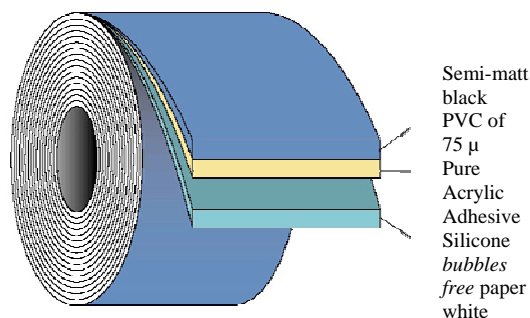
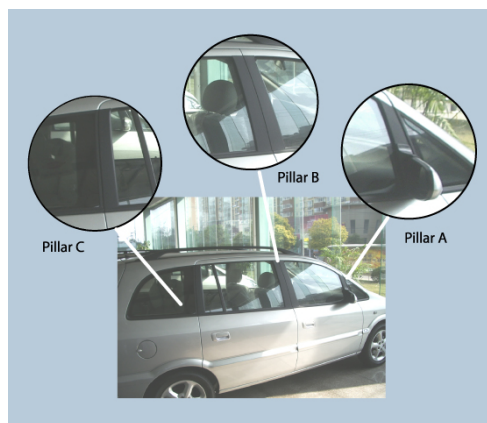
**Provisional** data sheets are subject to revision. The latest version is available on our website [www.mactac-europe.com](http://www.mactac-europe.com) or on request

# Specialities: SM 75 BF

- GENERAL INTRODUCTION
- PRODUCT DESCRIPTION
- TYPICAL APPLICATION
- CHARACTERISTICS
- RESISTANCE
- SHELF LIFE

**Specialities**

-is a range of high technology self-adhesive products, developed for specific industrial applications, particularly in the medical, optical or security fields, etc.



**SM 75 BF** is a semi-matt PVC 75μ coated on one side with a pure acrylic adhesive protected by a silicone *bubbles free* paper white.

**SM 75 BF** is laminated on Windows Pillars or Door frames in the automotive industry

Adhesion with Substrate			
Metal / Aluminium	High	Textile/Cotton	Medium
Glass / Ceramics	High	Rubber/EPDM	Medium
Painted Surface	High	Acrylic/PET	High
Wood/Board/Paper	High	Polystyrene	Medium
Soft PVC	Medium	PP/PE/PS	Medium
Rigid PVC	High	Smooth substrate	Medium
PC/ABS	Medium	Rough substrate	Medium

Resistant to water, detergents and alcohol. Medium resistance to plasticizers. Not recommended for use in contact with aliphatic or aromatic hydrocarbons. *For further technical advice, please consult with MACtac.*

2 years when stored at 15 to 25°C and ± 50 % relative humidity.

**WARNING** : the storage conditions must be scrupulously respected. If they are not respected, the product properties and its adhesive performances will be dramatically affected .

Exposed to ageing test (test method ISO 4892-2) **SM 75 BF** does not present any significant modification of its appearance after 4000 hours.

**ADHESIVE DATA**

	TYPICAL VALUES (*)	TEST METHOD
Quick Tack (N/25mm) on stainless steel	20	FTM 9
Peel 180° - (N/25mm) on stainless steel		
- after 20 minutes	16	FTM 1
- after 24 hours	17	FTM 1
Shear (hours) 1kg-25 mm x 25mm	200	FTM 8

**FACE DATA**

	TYPICAL VALUES (*)	TEST METHOD
Thickness (µ)	75	ISO 534
Tensile (N/15mm)	MD 40 CD 15	DIN 53455

**TEMPERATURE RESISTANCE**

Minimum application temperature	+ 2°C	
End-use temperature range	- 40°C + 90°C	
Short term resistance	100°C	S.A.F.T. 500grs

*For temperatures outside those quoted above, please consult with MACtac.*

**RELEASE LINER**

Silicone PE coated paper white of 130 grs/sqm		ISO 536
THICKNESS (Carrier+Adhesive) 120 µm		ISO 534

(\*) Values given are typical and are not necessarily for use in specifications.

**IMPORTANT NOTICE**

All MACtac products are subject to careful quality control throughout the manufacturing process and are warranted to be of merchantable quality and free from manufacturing defects. Published information concerning MACtac products are based upon research which the Company believes to be reliable but such information do not constitute a warranty. Because of the variety of possible uses for MACtac products and the continuing development of new uses, the purchaser should carefully consider the fitness and performance of the product for each intended use and the purchaser assumes all risks in connection with such use. Seller shall not be liable for damages in excess of the purchase price of the product or for incidental or consequential damages. All specifications are subject to change without prior notice.

